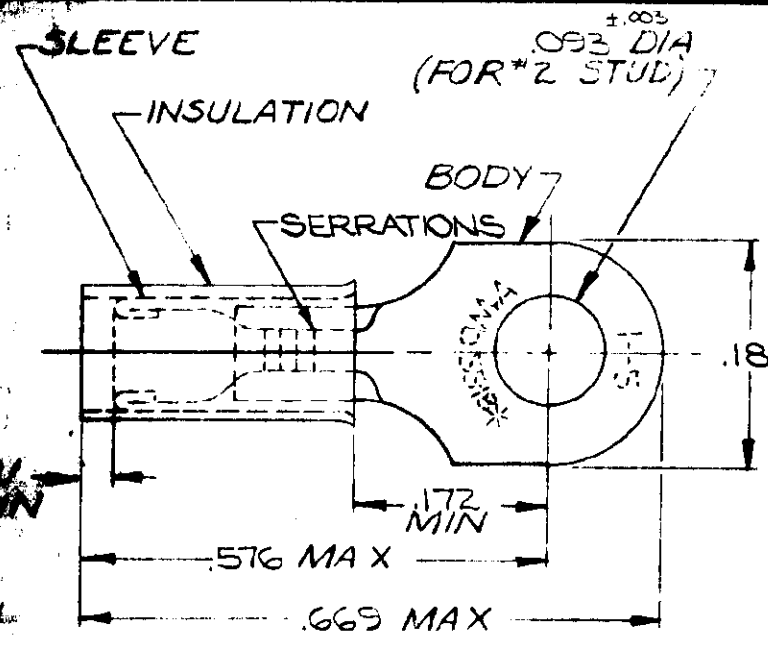


MADE IN AMERICAN PROJECTION

DESIGNED BY AMP INCORPORATED. ALL RIGHTS RESERVED. AMP PRODUCTS COVERED BY PATENTS AND/OR PATENTS PENDING.

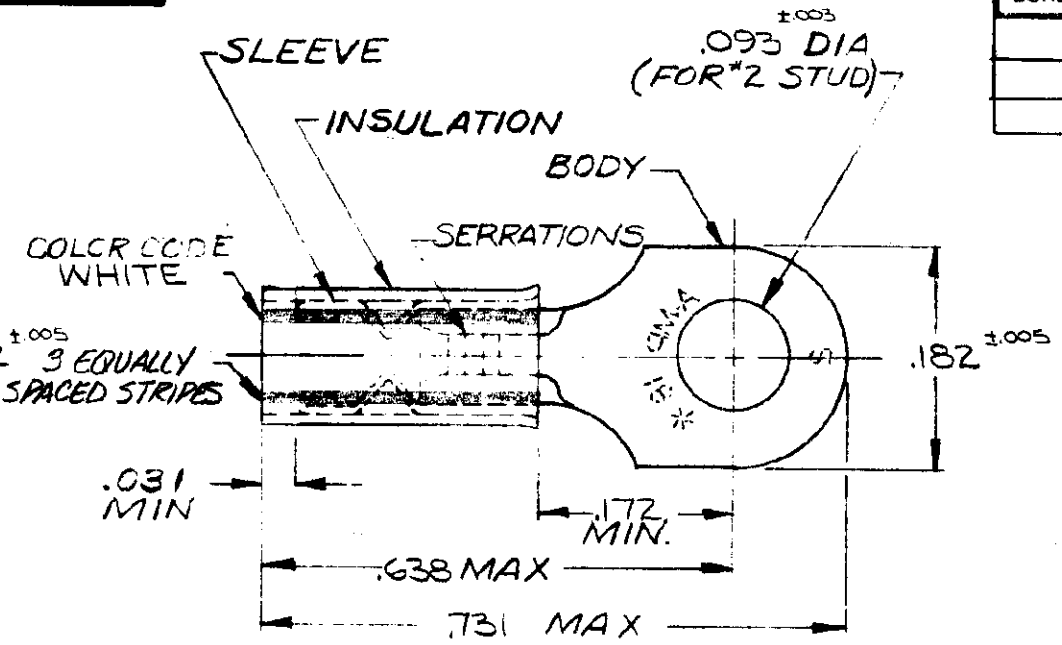
REVISIONS				
ZONE	LTR	DESCRIPTION	DATE	APPROVED
	D	REDRAWN & ADDED Z-324158-Z, NPS 70-0639 REV	6-22-71	FE
	E	REV PER FC-8592	3-19-80	JFM
	F	REV PER PC-8820	12-23-80	JFM



TONGUE MATERIAL THK. = .031 ±.002
FOR .080 TO .125 WIRE INS. DIA

STYLE "A"

MARKING ZZ-18 FOR MILITARY
COMMERCIAL RANGE ZZ-16



TONGUE MATERIAL THK. = .031 ±.002
FOR .056 TO .110 WIRE INS. DIA.

STYLE "B"

PART NO.	STYLE	WIRE SIZE
324158-2	B	18
324158-1	A	22-16
324158		

QTY	DESCRIPTION	PART NO.	MATERIAL	FINISH
1	WIRE TERMINAL INSULATION RESTRICTING	2-324158-2	BODY: COPPER (QQ-C-576) TIN PL (MIL-T-10727)	
1	324158 ON TAPE	2-324158-1	SLEEVE: COPPER (QQ-C-576) TIN PL (MIL-T-10727)	
1	WIRE TERMINAL	324158	INSULATION: NYLON (MIL-M-20693) TYPE I, COLOR: RED	
UNLESS OTHERWISE SPECIFIED DIMENSIONS ARE IN INCHES TOLERANCES ON: DECIMALS ±.008 ANGLES 5°			MATERIAL FINISH	
MATERIAL			SEE TABLE	
CONTRACT NO.			AMP INCORPORATED BERKSHIRE, PENNSYLVANIA	
DR. Wayne Millhous 6-22-71			AMP	
CHK. P.C. Thompson 6-22-71			WIRE TERMINAL	
APPRO. Abel 6-22-71			P.I.C.G. - RING TONGUE	
REL.			SIZE B	
DSGN APPD.			CODE IDENT NO. 00779	
OTHER APPD.			324158	
			SCALE NTS	
			SHEET 1 OF 1	